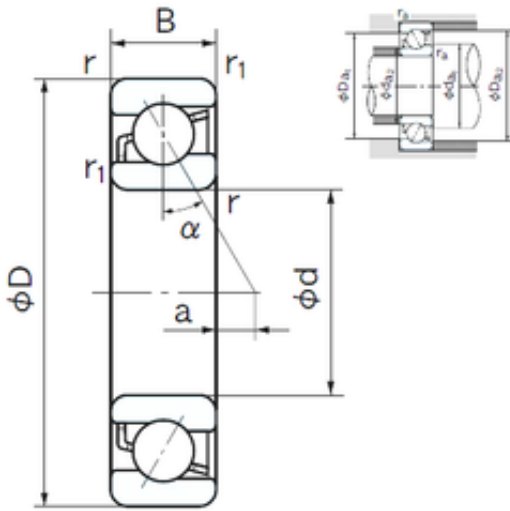




# BEARING-SINGAPORE (PTE)LTD.



95 mm x 200 mm x 45 mm NACHI 7319B  
angular contact ball bearings

Bearing No. 7319B

7319B Bearing 2D drawings and 3D CAD models

Size	95x200x45 mm
Bore Diameter	95 mm
Outer Diameter	200 mm
Width	45 mm
d	95 mm
D	200 mm
B	45 mm
C	45 mm
Angle ( ° )	40 °
a	39.5 mm
r min.	3 mm
r1 min.	1.1 mm
da min.	109 mm
Da max.	186 mm
ra max.	2.5 mm
Weight	6.68 Kg
Basic dynamic load rating (C)	172 kN
Basic static load rating (C0)	153 kN
(Grease) Lubrication Speed	2500 r/min
Configuration	Single Row
Enclosure	Open
Bore Type	Cylindrical Bore
Bore Size	95 mm
Outside Diameter	200 mm
Width	45 mm



## BEARING-SINGAPORE (PTE)LTD.

Fillet Radius/Chamfer	3 mm
r1	1.1 mm
Dynamic Load Rating	172,000 N
Static Load Rating	153,000 N
Limiting Speed - Grease	2,500 rpm
Limiting Speed - Oil	3,600 rpm
da1 (min)	109 mm
da2 (min)	102 mm
Da1 (max)	186 mm
Da2 (max)	193 mm
ra (max)	2.5 mm
ra1 (max)	1 mm