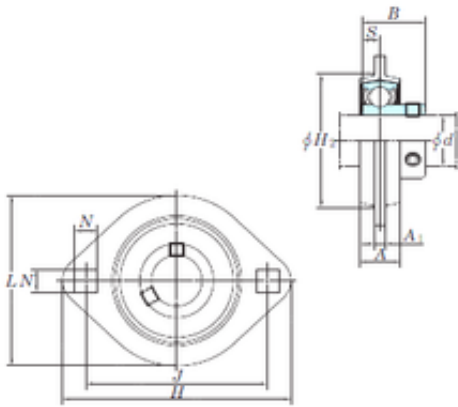




# BEARING-SINGAPORE (PTE)LTD.

## KOYO SBPFL203 bearing units



Bearing No. SBPFL203

Bore Diameter	17 mm
Width	22 mm
d	17 mm
A	14 mm
A1	4 mm
B	22 mm
H	81 mm
H2	49 mm
J	63,5 mm
L	59 mm
N	7,1 mm
S	6 mm
Bolt (G)	M6
Weight	0,19 Kg
Basic dynamic load rating (C)	9,55 kN
Basic static load rating (C0)	4,8 kN
Bearing No.	SBPFL203
Bolt size	M6
Cr	9.55
C0r	4.80
f0	13.2
H1	-
(Refer.)Unit mass(kg)	0.19

SBPFL203 Bearing 2D drawings and 3D CAD models