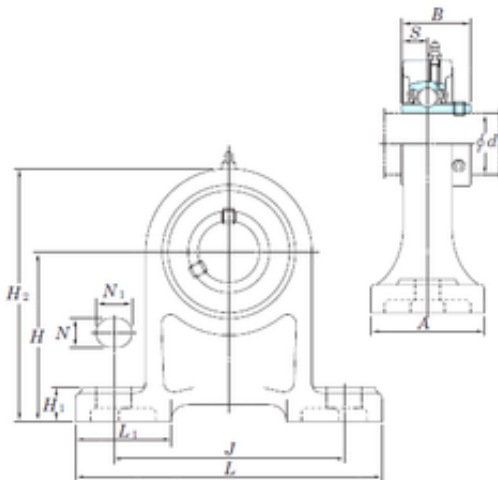




BEARING-SINGAPORE (PTE)LTD.

KOYO UCPH208 bearing units

Bearing No. UCPH208



UCPH208 Bearing 2D drawings and 3D CAD models

Bore Diameter	40 mm
Width	49,2 mm
d	40 mm
A	70 mm
B	49,2 mm
H	100 mm
H1	20 mm
H2	150 mm
J	137 mm
L	184 mm
L1	57 mm
N	17 mm
N1	21 mm
S	19 mm
Bolt (G)	M14
Weight	2,7 Kg
Basic dynamic load rating (C)	29,1 kN
Basic static load rating (C0)	17,8 kN