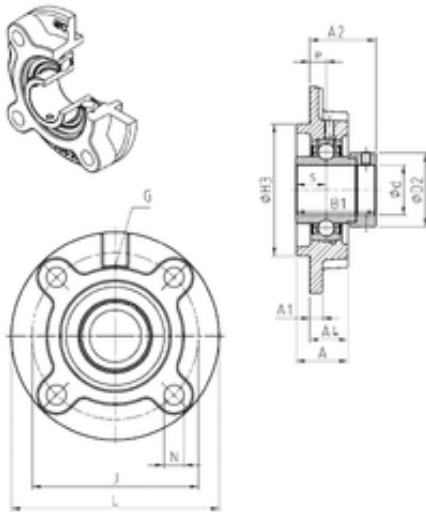




BEARING-SINGAPORE (PTE)LTD.



SNR EXFC214 bearing units

Bearing No. EXFC214

Bore Diameter	70 mm
d	70 mm
H3	150 mm
A4	38 mm
e	17 mm
s	34,1 mm
A	52 mm
A1	16 mm
B1	85,7 mm
D2	96,8 mm
J	177 mm
L	215 mm
N	19 mm
Thread (G)	M10x1
A2	68,6 mm
Weight	6,9 Kg
Basic dynamic load rating (C)	62 kN

EXFC214 Bearing 2D drawings and 3D CAD models