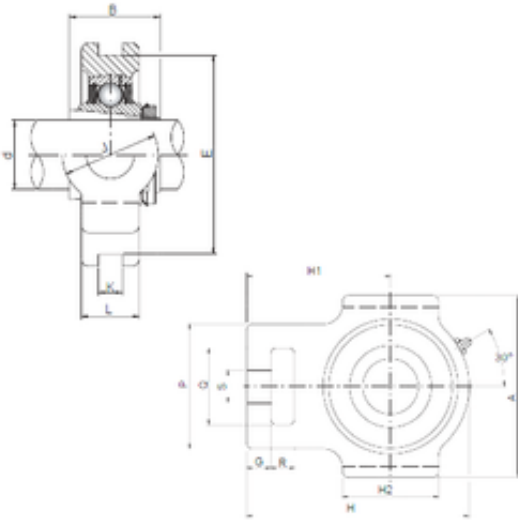




BEARING-SINGAPORE (PTE)LTD.

ISO UKT211 bearing units

Bearing No. UKT211



UKT211 Bearing 2D drawings and 3D CAD models

Bore Diameter	50 mm
d	50 mm
P	102 mm
Q	64 mm
A	146 mm
B	59 mm
E	130 mm
G	19 mm
H	171 mm
H1	106 mm
H2	95 mm
J	64 mm
K	22 mm
L	41 mm
R	25 mm
S	35 mm