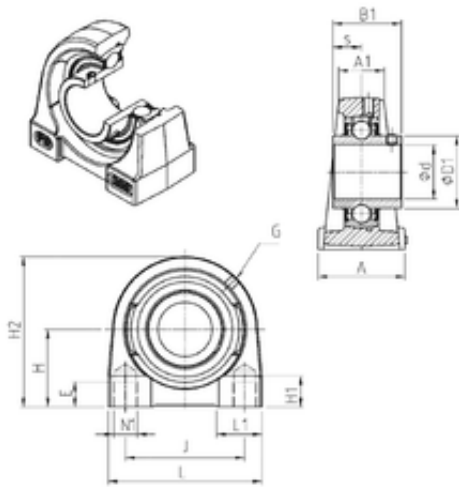




# BEARING-SINGAPORE (PTE)LTD.

## SNR UCPG202 bearing units

Bearing No. UCPG202



UCPG202 Bearing 2D drawings and 3D CAD models

Bore Diameter	15 mm
d	15 mm
s	12,7 mm
A	38 mm
A1	20 mm
B1	31 mm
D1	29 mm
E	16 mm
H	33,3 mm
H1	14 mm
H2	64 mm
J	49 mm
L	70 mm
L1	21 mm
Thread (G)	M6x1
Thread (N1)	M8
Weight	0,6 Kg
Basic dynamic load rating (C)	12,8 kN