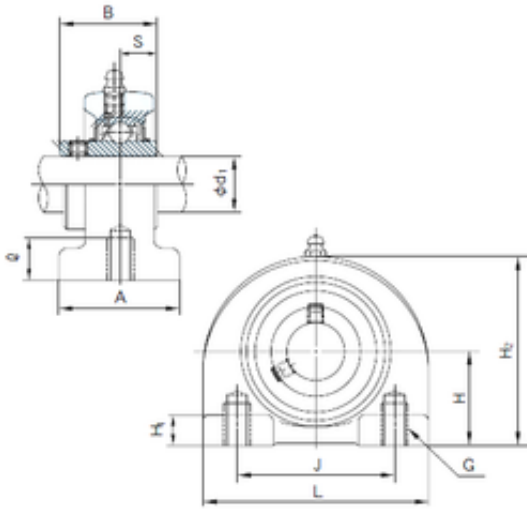




BEARING-SINGAPORE (PTE)LTD.

NACHI UCPA202 bearing units

Bearing No. UCPA202



UCPA202 Bearing 2D drawings and 3D CAD models

Bore Diameter	15 mm
Width	31 mm
d	15 mm
A	38 mm
B	31 mm
H	30.2 mm
H1	8 mm
H2	62 mm
J	52 mm
L	76 mm
S	12.7 mm
	12 Tolerance h14
Thread (G)	M10 × 1.5