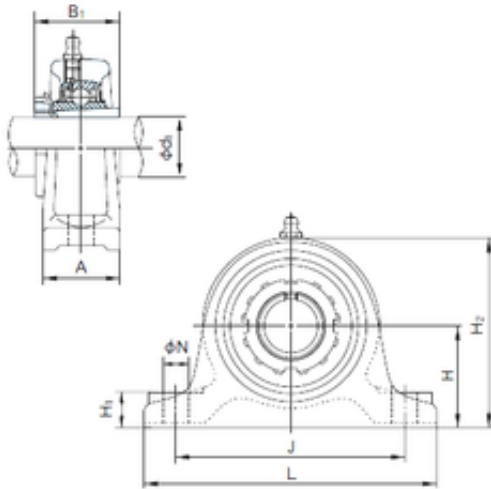




BEARING-SINGAPORE (PTE)LTD.

NACHI UKIP320+H2320 bearing units



Bearing No. UKIP320+H2320

Bore Diameter	90 mm
Width	150 mm
d	90 mm
A	85 mm
B1	97 mm
H	150 mm
H1	45 mm
H2	295 mm
J	360 mm
L	430 mm
N	29 mm
Bolt (G)	M24

UKIP320+H2320 Bearing 2D drawings and 3D CAD models