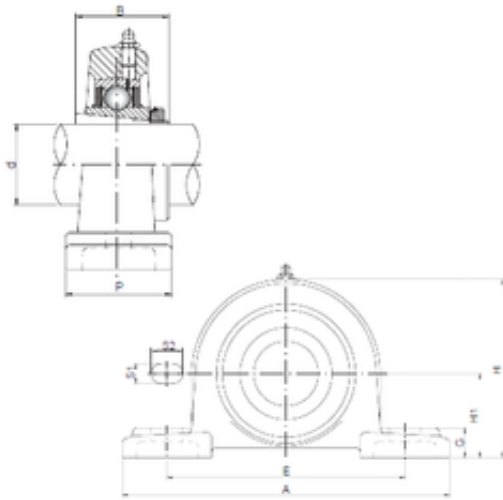




BEARING-SINGAPORE (PTE)LTD.

ISO UKP209 bearing units



Bearing No. UKP209

Bore Diameter	40 mm
d	40 mm
S1	17 mm
P	54 mm
A	190 mm
B	50 mm
E	146 mm
G	20 mm
H	106 mm
H1	54 mm

UKP209 Bearing 2D drawings and 3D CAD models