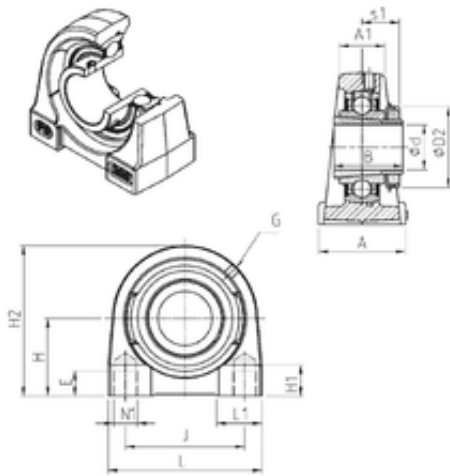




BEARING-SINGAPORE (PTE)LTD.

SNR UKPG210H bearing units



Bearing No. UKPG210H

Bore Diameter	45 mm
d	45 mm
s1	27,5 mm
A	60 mm
A1	35 mm
B	55 mm
D2	70 mm
E	25 mm
H	57,2 mm
H1	21 mm
H2	114 mm
J	95 mm
L	135 mm
L1	40 mm
Thread (G)	M6x1
Thread (N1)	M16
Weight	2,9 Kg
Basic dynamic load rating (C)	35,1 kN

UKPG210H Bearing 2D drawings and 3D CAD models