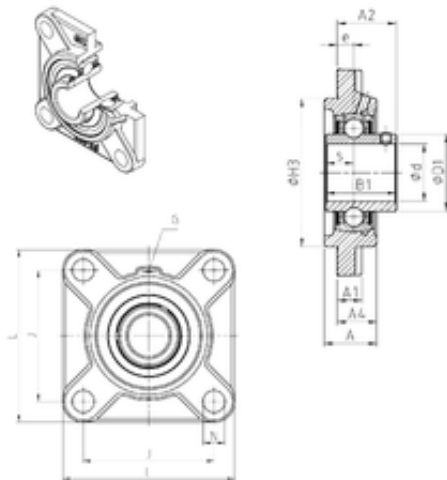




BEARING-SINGAPORE (PTE)LTD.



SNR UCFS314 bearing units

Bearing No. UCFS314

| | |
|-------------------------------|-----------|
| Bore Diameter | 70 mm |
| d | 70 mm |
| H3 | 185 mm |
| A4 | 43 mm |
| e | 18 mm |
| s | 33 mm |
| A | 61 mm |
| A1 | 25 mm |
| B1 | 78 mm |
| D1 | 94 mm |
| J | 178 mm |
| L | 226 mm |
| N | 25 mm |
| Thread (G) | M10x1 |
| A2 | 65 mm |
| Weight | 11 Kg |
| Basic dynamic load rating (C) | 104,26 kN |

UCFS314 Bearing 2D drawings and 3D CAD models