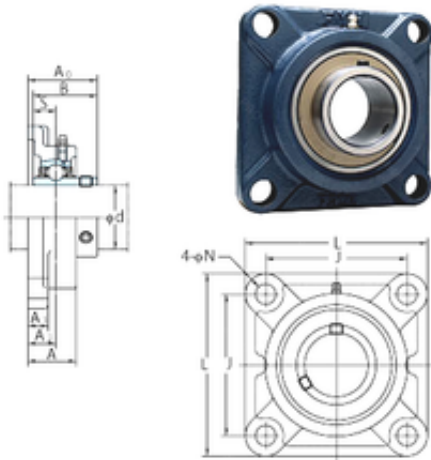




BEARING-SINGAPORE (PTE)LTD.

FYH UCF306 bearing units



Bearing No. UCF306

Bore Diameter	30 mm
d	30 mm
A0	44 mm
A	32 mm
A1	15 mm
B	43 mm
J	95 mm
L	125 mm
N	16 mm
S	17 mm
Bolt (G)	M14
A2	18 mm
Weight	1,9 Kg
Basic dynamic load rating (C)	26,7 kN
Basic static load rating (C0)	15 kN
Category	Mounted Units & Inserts
Inventory	0.0
Manufacturer Name	FYH BEARING UNITS
Minimum Buy Quantity	N/A
Weight / Kilogram	0
Product Group	M06110

UCF306 Bearing 2D drawings and 3D CAD models