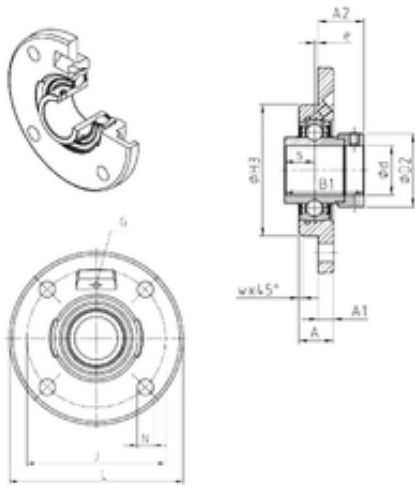




# BEARING-SINGAPORE (PTE)LTD.



## SNR EXFCE207 bearing units

Bearing No. EXFCE207

Bore Diameter	35 mm
d	35 mm
H3	90 mm
e	1 mm
s	18,8 mm
A	21 mm
A1	10 mm
B1	51,1 mm
D2	55,6 mm
J	110 mm
L	135 mm
N	11,5 mm
W	2 mm
Thread (G)	M6x1
A2	31,3 mm
Weight	1,4 Kg
Basic dynamic load rating (C)	25,7 kN

EXFCE207 Bearing 2D drawings and 3D CAD models