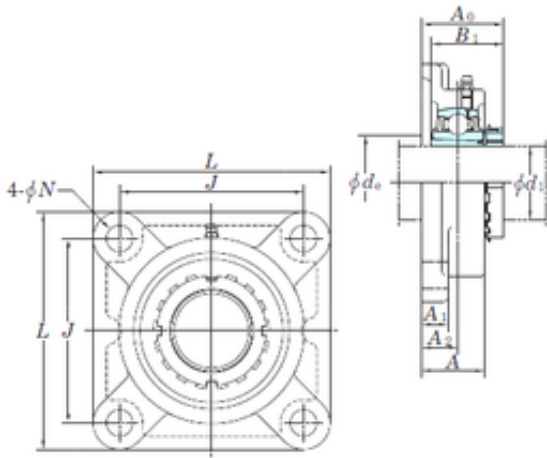




BEARING-SINGAPORE (PTE)LTD.

KOYO UKF328 bearing units

Bearing No. UKF328



UKF328 Bearing 2D drawings and 3D CAD models

Bore Diameter	125 mm
d	125 mm
A0	147,5 mm
A	125 mm
A1	55 mm
B1	131 mm
J	350 mm
L	450 mm
N	41 mm
Thread (G)	M36
A2	75 mm
Weight	93,4 Kg
Basic dynamic load rating (C)	253 kN
Basic static load rating (C0)	246 kN