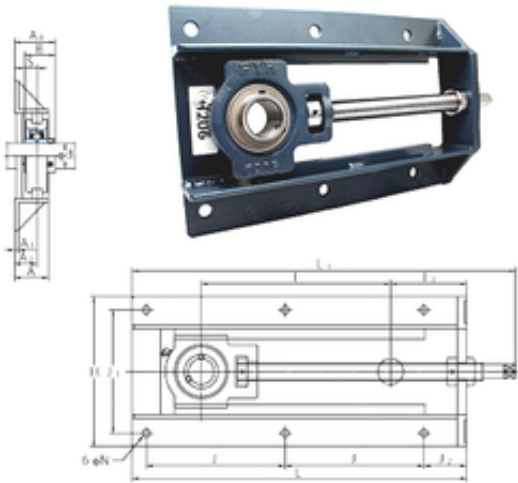




# BEARING-SINGAPORE (PTE)LTD.

## FYH UCTH201-8-150 bearing units

Bearing No. UCTH201-8-150



UCTH201-8-150 Bearing 2D drawings and 3D CAD models

|                               |         |
|-------------------------------|---------|
| Bore Diameter                 | 12,7 mm |
| Width                         | 88 mm   |
| d                             | 12,7 mm |
| A0                            | 46,3 mm |
| T1                            | 88 mm   |
| A                             | 50 mm   |
| A1                            | 6 mm    |
| B                             | 31 mm   |
| H                             | 200 mm  |
| J                             | 117 mm  |
| L                             | 318 mm  |
| L1                            | 376 mm  |
| N                             | 12 mm   |
| S                             | 12,7 mm |
| T                             | 153 mm  |
| Bolt (G)                      | M10     |
| A2                            | 28 mm   |
| J1                            | 154 mm  |
| J2                            | 65 mm   |
| Weight                        | 6,7 Kg  |
| Basic dynamic load rating (C) | 12,8 kN |
| Basic static load rating (C0) | 6,65 kN |