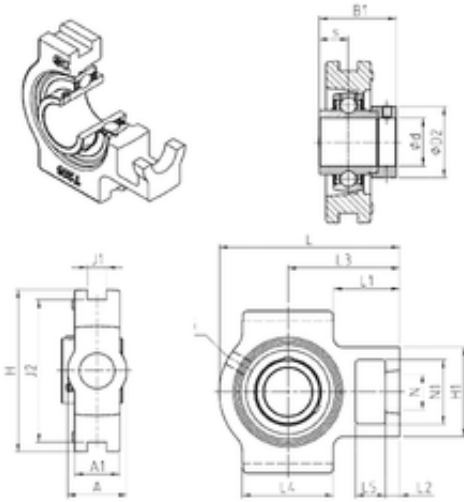




# BEARING-SINGAPORE (PTE)LTD.



## SNR EXT316 bearing units

Bearing No. EXT316

|                               |           |
|-------------------------------|-----------|
| Bore Diameter                 | 80 mm     |
| d                             | 80 mm     |
| L4                            | 160 mm    |
| L5                            | 42 mm     |
| L2                            | 30 mm     |
| L3                            | 174 mm    |
| s                             | 40,5 mm   |
| A                             | 102 mm    |
| A1                            | 60 mm     |
| B1                            | 106,4 mm  |
| D2                            | 119 mm    |
| H                             | 230 mm    |
| H1                            | 150 mm    |
| L                             | 282 mm    |
| L1                            | 94 mm     |
| N                             | 53 mm     |
| N1                            | 98 mm     |
| Thread (G)                    | M10x1     |
| J1                            | 30 mm     |
| J2                            | 204 mm    |
| Weight                        | 17,1 Kg   |
| Basic dynamic load rating (C) | 122,85 kN |
| A2                            | 60 mm     |
| B                             | 81 mm     |
| A5                            | 40.5 mm   |
| d1                            | 119 mm    |

EXT316 Bearing 2D drawings and 3D CAD models



## BEARING-SINGAPORE (PTE)LTD.

|   |           |
|---|-----------|
| G   | M10x1     |
| H2  | 150 mm    |
| N2  | 98 mm     |
| s1  | 72.3 mm   |
| S   | 40.5 mm   |
| SW  | 8 mm      |
| C   | 122.85 kN |
| C0  | 86.5 kN   |
| T min.                                      | -20 ° C   |
| T max.                                      | 100 ° C   |
| Recommended tightening torque for set screw | 64 Nm     |
| Designation of housing                      | T316-     |
| Designation of bearing                      | EX316G2   |