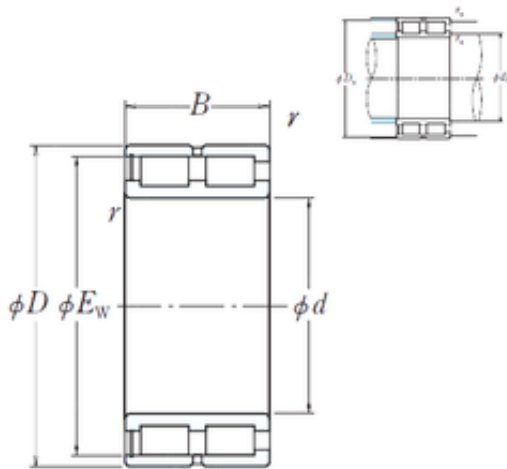




## BEARING-SINGAPORE (PTE)LTD.

160 mm x 220 mm x 60 mm NSK NNCF4932V  
cylindrical roller bearings



Bearing No. NNCF4932V

Size	160x204.1x60 mm
Bore Diameter	160 mm
Outer Diameter	204,1 mm
Width	60 mm
d	160 mm
D	220 mm
Ew	204,1 mm
B	60 mm
C	60 mm
r min.	2 mm
Da	206 mm
ra max.	2 mm
da	173 mm
Weight	7 Kg
Basic dynamic load rating (C)	410 kN

NNCF4932V Bearing 2D drawings and 3D CAD models