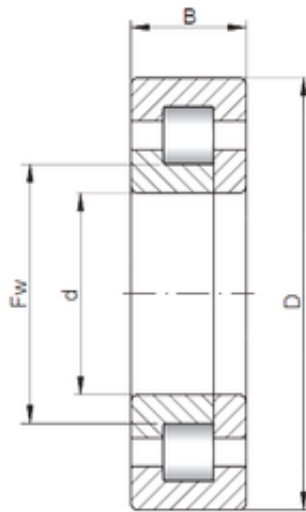




BEARING-SINGAPORE (PTE)LTD.



260 mm x 540 mm x 165 mm ISO NUP2352
cylindrical roller bearings

Bearing No. NUP2352

Size	260x540x165 mm
Bore Diameter	260 mm
Outer Diameter	540 mm
Width	165 mm
d	260 mm
D	540 mm
B	165 mm
C	165 mm

NUP2352 Bearing 2D drawings and 3D CAD models