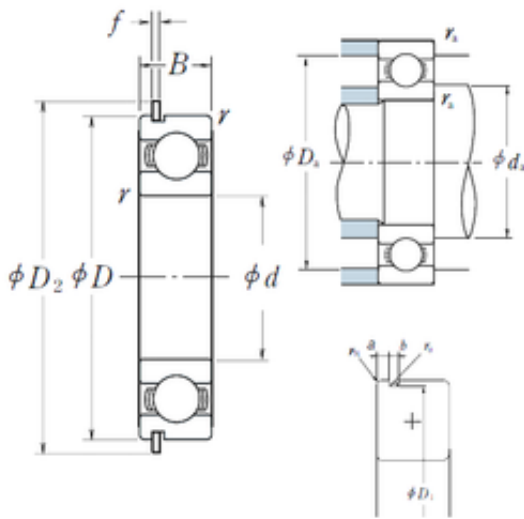




BEARING-SINGAPORE (PTE)LTD.

12 mm x 28 mm x 8 mm NSK 6001NR deep groove ball bearings

Bearing No. 6001NR



6001NR Bearing 2D drawings and 3D CAD models

Size	12x28x8 mm
Bore Diameter	12 mm
Outer Diameter	28 mm
Width	8 mm
d	12 mm
D	28 mm
B	8 mm
C	8 mm
rn	0,3 mm
a	1,35 mm
b	0,87 mm
f	0,84 mm
r min.	0,3 mm
r0 max.	0,2 mm
D1	26,5 mm
D2	30,7 mm
da min.	14 mm
da max	15,5 mm
Da max.	26 mm
ra max.	0,3 mm
Weight	0,022 Kg
Basic dynamic load rating (C)	5,1 kN
Basic static load rating (C0)	2,37 kN
(Grease) Lubrication Speed	28 000 r/min
(Oil) Lubrication Speed	32 000 r/min



BEARING-SINGAPORE (PTE)LTD.

SRI	2.46
hidYobi	6001NR
LangID	1
ro	0.2
D_	28
SREX	0.015
B_	8
da min	14
hidTable	ecat_NS RDGB
Oil rpm	32000
SRE	2.46
Cy	1.9
mass	0.022
GRS rpm	28000
ra	0.3
SRIX	0.015
D_a	26
SRIN	-0.015
C0	2.37
fo	13
SREN	-0.015
DE_	24.762
Prod_Type3	DGBB_SR_NR_OT
DA_	4.762
bomp	0
Z_	8
yobi	6001NR
Dx	31.4
C_conv	5100
ALPHA_	0
SDM_	20
r	0.3



BEARING-SINGAPORE (PTE)LTD.

KBRG	6101
SBRG	10
DI_	15.238