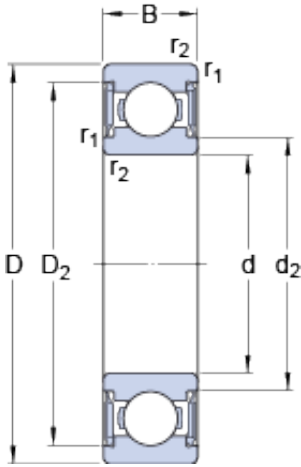




BEARING-SINGAPORE (PTE)LTD.



8 mm x 16 mm x 5 mm SKF W 628/8-2RS1
deep groove ball bearings

Bearing No. W 628/8-2RS1

W 628/8-2RS1 Bearing 2D drawings and 3D CAD models

Size	16x8x5 mm
Bore Diameter	16 mm
Outer Diameter	8 mm
Width	5 mm
d	8 mm
D	16 mm
B	5 mm
d ₂	9.65 mm
D ₂	14.2 mm
r _{1,2} - min.	0.2 mm
d _a - min.	9.5 mm
d _a - max.	9.6 mm
D _a - max.	14.4 mm
r _a - max.	0.2 mm
Basic dynamic load rating - C	0.715 kN
Basic static load rating - C ₀	0.3 kN
Fatigue load limit - P _u	0.012 kN
Limiting speed	26000 r/min
Calculation factor - k _r	0.02
Calculation factor - f ₀	7.5
Category	Single Row Ball Bearings
Inventory	0.0
Manufacturer Name	SKF
Minimum Buy Quantity	N/A



BEARING-SINGAPORE (PTE)LTD.

Weight / Kilogram	0.004
EAN	7316570978766
Product Group	B00308
Enclosure	2 Seals
Precision Class	ABEC 1 ISO P0
Maximum Capacity / Filling Slot	No
Rolling Element	Ball Bearing
Snap Ring	No
Internal Special Features	No
Cage Material	Stainless Steel
Enclosure Type	Contact Seal
Internal Clearance	C0-Medium
Inch - Metric	Metric
Long Description	8MM Bore; 16MM Outside Diameter; 5MM Outer Race Width; 2 Seals; Ball Bearing; ABEC 1 ISO P0; No Filling Slot; No Snap Ring; No Internal Special Features; C0-Medium Internal Clearance; Stainless Steel
Other Features	Deep Groove NBR Seal
Category	Single Row Ball Bearing
UNSPSC	31171504
Harmonized Tariff Code	8482.10.50.68
Noun	Bearing
Keyword String	Ball
Manufacturer URL	http://www.skf.com
Weight / LBS	0.0084
Bore	0.315 Inch 8 Millimeter
Inner Race Width	0 Inch 0 Millimeter
Outside Diameter	0.63 Inch 16 Millimeter
Outer Race Width	0.197 Inch 5 Millimeter
d ₂	9.65 mm



BEARING-SINGAPORE (PTE)LTD.

D_2	14.2 mm
$r_{1,2}$ min.	0.2 mm
d_a min.	9.5 mm
d_a max.	9.6 mm
D_a max.	14.4 mm
r_a max.	0.2 mm
Basic dynamic load rating C	0.715 kN
Basic static load rating C_0	0.3 kN
Fatigue load limit P_u	0.012 kN
Calculation factor k_r	0.02
Calculation factor f_0	7.5
Mass bearing	0.0039 kg