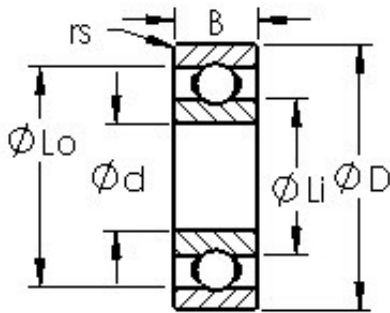




BEARING-SINGAPORE (PTE)LTD.



AST 688H deep groove ball bearings

Bearing No. 688H

Size	8x16x4 mm
Bore Diameter	8 mm
Outer Diameter	16 mm
Width	4 mm
Bearing Type	Open
Bore Dia (d)	8.0000
Outer Dia (D)	16.0000
Width (B)	4.0000
Radius (min) (rs)	0.200
Dynamic Load Rating (Cr)	1,064
Static Load Rating (Cor)	474
Max Speed (Grease) (X1000 RPM)	36
Max Speed (Oil) (X1000 RPM)	43
Max. Shaft Shoulder Dia. Inner (Li)	10.5
Min. Housing Shoulder Dia., Outer (Lo)	13.5
Ball Qty	10
Ball Dia (Dw)	2.0000
Weight (g)	3.11
Precision	A1
Standard Clearance	K25
Material	Martensitic Stainless Steel

688H Bearing 2D drawings and 3D CAD models