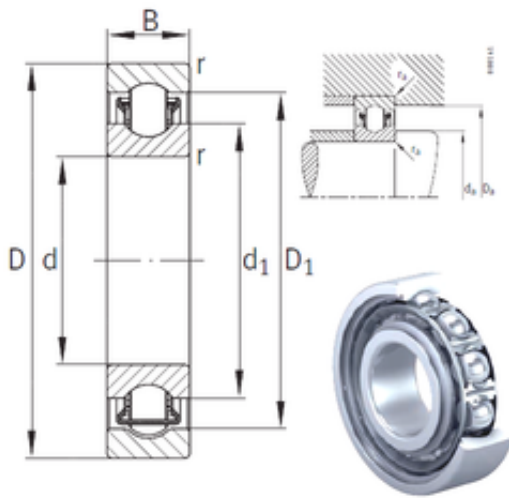




## BEARING-SINGAPORE (PTE)LTD.



BXRE201 Bearing 2D drawings and 3D CAD models

12 mm x 32 mm x 10 mm INA BXRE201 needle roller bearings

Bearing No. BXRE201

Size	12x32x10 mm
Bore Diameter	12 mm
Outer Diameter	32 mm
Width	10 mm
d	12 mm
D	32 mm
B	10 mm
C	10 mm
d1	19 mm
r min.	0,6 mm
D1	25,9 mm
da min.	16,2 mm
Da max.	27,8 mm
ra max.	0,6 mm
Weight	0,039 Kg
Basic dynamic load rating (C)	10,1 kN
Basic static load rating (C0)	5,2 kN
Fatigue load limit (Pu)	265
Reference speed	16 900 r/min