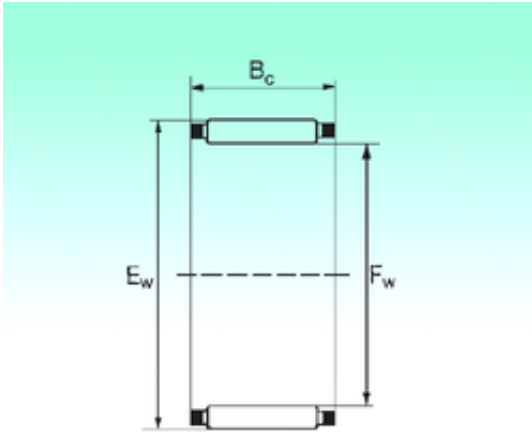




BEARING-SINGAPORE (PTE)LTD.



NBS K 50x58x20 needle roller bearings

Bearing No. K 50x58x20

Bore Diameter	50 mm
Outer Diameter	58 mm
Fw	50 mm
Ew	58 mm
Bc	20 mm
Weight	0,075 Kg
Basic dynamic load rating (C)	35 kN
Basic static load rating (C0)	61,5 kN

K 50x58x20 Bearing 2D drawings and 3D CAD models