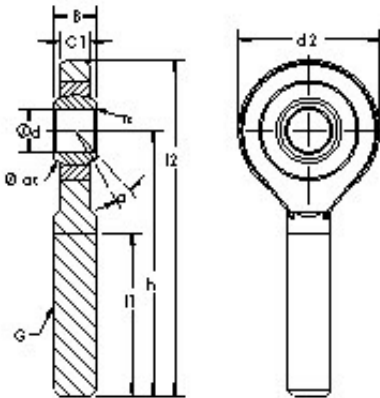




BEARING-SINGAPORE (PTE)LTD.



AST SAZJ7 plain bearings

Bearing No. SAZJ7

Bore Diameter	7,9375 mm
Width	11,1 mm
Bearing Type - steel-on-steel	steelonsteel
Bore Dia (d)	0.3125
Width (B)	0.4370
Radius (min) (rs)	0.012
Dynamic Load Rating (Cr)	1,911
Static Load Rating (Cor)	2,698
Spherical Diameter (dk or Dk)	0.625
Mis-alignment Angle (a deg.)	11
Thread Length (l1)	1.250
Bore Center to End of Rod (h)	1.875
Rod Overall Length (l2)	2.312
Rod End Thickness (C1)	0.312
Thread Size (G) - 5/16-24 UNF	5/1624 UNF
Rod End Width (d2)	0.875
Weight (g)	32.00
Material - Body - Carbon steel-zinc plated, Ball - Hardened chrome steel-chrome plated	Hardened chrome steelchrome plated

SAZJ7 Bearing 2D drawings and 3D CAD models