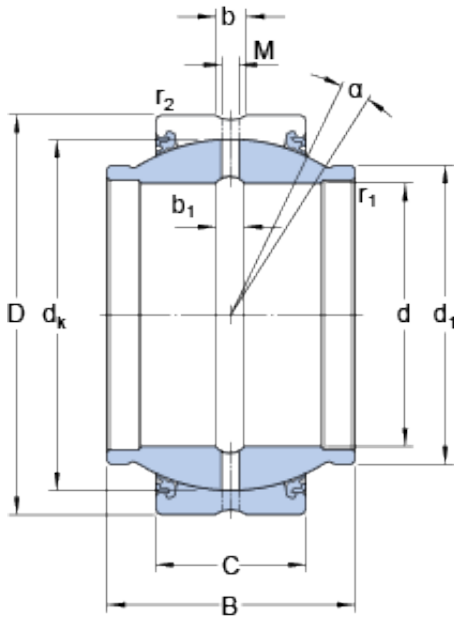




BEARING-SINGAPORE (PTE)LTD.

34.925 mm x 55.563 mm x 52.375 mm SKF
GEZM 106 ESX-2LS plain bearings

Bearing No. GEZM 106 ESX-2LS



GEZM 106 ESX-2LS Bearing 2D drawings and 3D CAD models

| | |
|---|-------------------------|
| Size | 55.563x34.925x52.375 mm |
| Bore Diameter | 55,563 mm |
| Outer Diameter | 34,925 mm |
| Width | 52,375 mm |
| d | 34.925 mm |
| D | 55.563 mm |
| B | 52.375 mm |
| C | 26.187 mm |
| | 5 ° |
| d _k | 49.2 mm |
| d ₁ | 42.418 mm |
| b | 4.8 mm |
| b ₁ | 5 mm |
| M | 4 mm |
| r ₁ - min. | 1 mm |
| r ₂ - min. | 1 mm |
| d _a - min. | 39.1 mm |
| d _a - max. | 42.4 mm |
| D _a - min. | 47.1 mm |
| D _a - max. | 51.7 mm |
| r _a - max. | 1 mm |
| r _b - max. | 1 mm |
| Basic dynamic load rating - C | 156 kN |
| Basic static load rating - C ₀ | 310 kN |
| | |



BEARING-SINGAPORE (PTE)LTD.

| | |
|--|-------------------------------------|
| Specific factor dynamic load - K | 150 N/mm ² |
| Specific factor static load - K ₀ | 300 N/mm ² |
| Constant - K _M | 330 |
| Lubricant | Maintenance free – greased for life |
| Design (sliding contact surface combination) | Steel/steel |
| Sealing solution | Triple-lip seals |
| | 5 ° |
| d _k | 49.2 mm |
| d ₁ | 42.418 mm |
| b ₁ | 5 mm |
| r ₁ min. | 1 mm |
| r ₂ min. | 1 mm |
| d _a min. | 39.1 mm |
| d _a max. | 42.4 mm |
| D _a min. | 47.1 mm |
| D _a max. | 51.7 mm |
| r _a max. | 1 mm |
| r _b max. | 1 mm |
| Basic dynamic load rating C | 156 kN |
| Basic static load rating C ₀ | 310 kN |
| Specific dynamic load factor K | 150 N/mm ² |
| Specific static load factor K ₀ | 300 N/mm ² |
| Material constant K _M | 330 |
| Mass plain bearing | 0.37 kg |