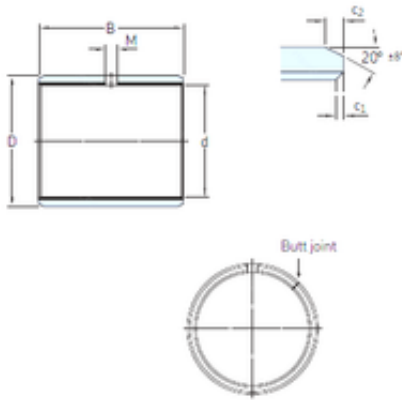




BEARING-SINGAPORE (PTE)LTD.

41,275 mm x 45,244 mm x 25,4 mm SKF PCZ 2616 M plain bearings



Bearing No. PCZ 2616 M

Size	41.275x45.244x25.4 mm
Bore Diameter	41,275 mm
Outer Diameter	45,244 mm
Width	25,4 mm
d	41,275 mm
D	45,244 mm
B	25,4 mm
c1 min	0,1 mm
c2 min	0,8 mm
M	5 mm
Weight	0,046 Kg
Basic dynamic load rating (C)	122 kN
c ₁ min.	0.1 mm
c ₁ max.	0.7 mm
c ₂ min.	0.8 mm
c ₂ max.	1.6 mm
± 8	20 °
Shaft diameter range min.	40.937 mm
Shaft diameter range max.	40.978 mm
Housing bore range min.	45.245 mm
Housing bore range max.	45.268 mm
Basic dynamic load rating - radial direction C	122 kN
Basic static load rating - radial direction C ₀	255 kN

PCZ 2616 M Bearing 2D drawings and 3D CAD models



BEARING-SINGAPORE (PTE)LTD.

Specific dynamic load factor K	120 N/mm ²
Specific static load factor K_0	250 N/mm ²
Factor depending on material and bearing type K_M	1900
Permissible sliding velocity v min.	0 m/s
Permissible sliding velocity v max.	2.5 m/s
Coefficient of friction μ min.	0.02
Coefficient of friction μ max.	0.2
Mass bushing	0.046 kg