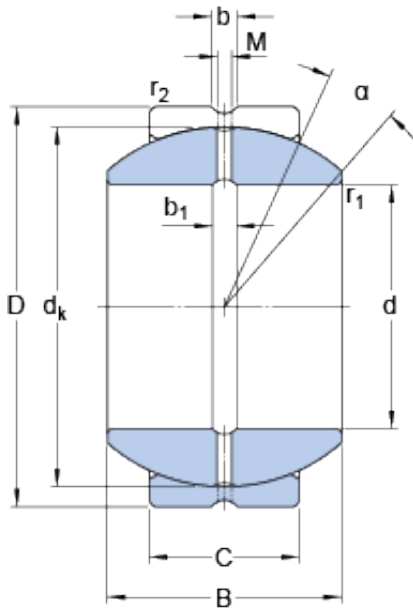




BEARING-SINGAPORE (PTE)LTD.

139.7 mm x 222.25 mm x 125.73 mm SKF GEZH 508 ES plain bearings

Bearing No. GEZH 508 ES



GEZH 508 ES Bearing 2D drawings and 3D CAD models

Size	222.25x139.7x125.73 mm
Bore Diameter	222,25 mm
Outer Diameter	139,7 mm
Width	125,73 mm
d	139.7 mm
D	222.25 mm
B	125.73 mm
C	104.775 mm
	7 °
d _k	207.162 mm
b	15 mm
b ₁	11 mm
M	8 mm
r ₁ - min.	2 mm
r ₂ - min.	1.1 mm
d _a - min.	152 mm
d _a - max.	164 mm
D _a - min.	197 mm
D _a - max.	213.5 mm
r _a - max.	2 mm
r _b - max.	1.1 mm
Basic dynamic load rating - C	1730 kN
Basic static load rating - C ₀	5200 kN
Specific factor dinamic load - K	100 N/mm ²



BEARING-SINGAPORE (PTE)LTD.

Specific factor static load - K_0	300 N/mm ²
Constant - K_M	330
Lubricant	Regular relubrication – grease
Design (sliding contact surface combination)	Steel/steel
Sealing solution	-
	7 °
d_k	207.162 mm
b_1	11 mm
r_1 min.	2 mm
r_2 min.	1.1 mm
d_a min.	152 mm
d_a max.	164 mm
D_a min.	197 mm
D_a max.	213.5 mm
r_a max.	2 mm
r_b max.	1.1 mm
Basic dynamic load rating C	1730 kN
Basic static load rating C_0	5200 kN
Specific dynamic load factor K	100 N/mm ²
Specific static load factor K_0	300 N/mm ²
Material constant K_M	330
Mass plain bearing	20.5 kg