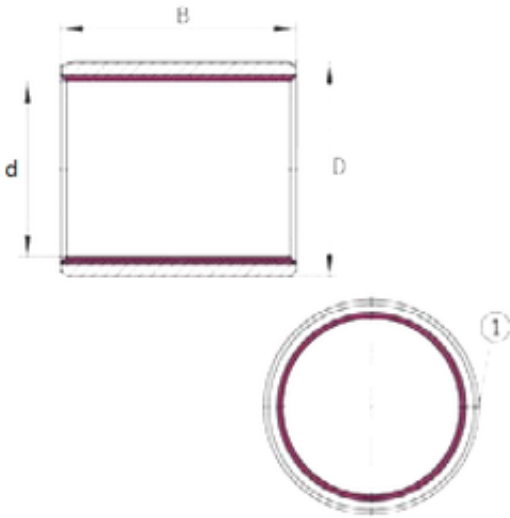




BEARING-SINGAPORE (PTE)LTD.



41,275 mm x 45,244 mm x 25,4 mm INA
EGBZ2616-E40 plain bearings

Bearing No. EGBZ2616-E40

EGBZ2616-E40 Bearing 2D drawings and 3D CAD models

Size	41.275x45.244x25.4 mm
Bore Diameter	41,275 mm
Outer Diameter	45,244 mm
Width	25,4 mm
d	41,275 mm
D	45,244 mm
B	25,4 mm
Category	Sleeve Bearings
Inventory	0.0
Manufacturer Name	SCHAEFFLER GROUP
Minimum Buy Quantity	N/A
Weight / Kilogram	0.061
Product Group	B04264
Profile	Bushing No Flange Split
Material Description	Steel Backing, Bronze Innerstructure, PTFE-lead Overlay
Material	Permaglide P10
Inch - Metric	Inch
Long Description	1-5/8" Nominal Bore; 1-25/32" Nominal Outside Diameter; 1" Length Thru Bore; Bushing No Flange Split Profile; Steel Backing, Bronze Innerstructure, PTFE-lead Overlay; Permaglide P10 Mat
Category	Sleeve Bearings



BEARING-SINGAPORE (PTE)LTD.

UNSPSC	31171515
Harmonized Tariff Code	84833080
Noun	Bearing
Keyword String	Plain
Manufacturer URL	http://www.ina.com
Manufacturer Item Number	PAPZ2616P10
Weight / LBS	0.135
Length Thru Bore	1 Inch 25.4 Millimeter
Nominal Outside Diameter	1.781 Inch 45.237 Millimeter
Nominal Bore	1.625 Inch 41.275 Millimeter